



USER MANUAL

TEDNA Shotguns

Over & Under | Side by Side
Semi-Automatic





Come shoot the quality.

Zenith Firearms, an American importer of high quality firearms and accessories, is a proud distributor of TEDNA firearms.

TEDNA



WARNING

Please read this user manual carefully before using the firearm.

WARNING

Do not use this firearm until you fully understand all of the safety instructions and handling procedures.

NOTE

Should you require further information, please call a Zenith Firearms representative at 434.202.7790.



INDEX

GENERAL WARNINGS.....	4
SAFETY RULES.....	5
MODELS	8
OVER & UNDER SHOTGUNS	
Assembly.....	9
Usage.....	10
Choke Tubes.....	11
Maintenance.....	12
SIDE BY SIDE SHOTGUNS	
Assembly.....	13
Usage.....	14
Choke Tubes.....	15
Maintenance.....	16
SEMI-AUTOMATIC SHOTGUNS	
Assembly.....	17
Loading	19
Firing	19
Unloading.....	20
Choke Tubes.....	21
Maintenance.....	22
SHOTGUN DIAGRAMS	
Over & Under - Single Trigger - Auto Ejector	24
Over & Under - Double Trigger - Auto Ejector	25
Over & Under - Single Trigger.....	26
Over & Under - Double Trigger	27
Side by Side - Single Trigger.....	28
Side by Side - Double Trigger	29
Semi-Automatic - G125 (Gas Operated).....	30
Semi-Automatic - K125 (Inertia).....	31
PARTS	
Over & Under Shotguns	32
Side by Side Shotguns.....	33
Semi-Automatic Shotguns.....	34
WARRANTY CERTIFICATE.....	35

GENERAL WARNINGS

- Read this user manual carefully before using the product.
- Do not use any firearm before reading the safety rules and maintenance instructions.
- Obey the laws in your country referring to firearms purchasing, carrying and use.

All firearms are dangerous. Zenith Firearms and TEDNA are not responsible for any damage that results from the improper use of your firearm.

ESSENTIAL FIREARM SAFETY GUIDELINES

These firearm safety guidelines have been prepared by Zenith Firearms, based upon currently available information. They are provided to you as a courtesy and in the interest of furthering safety. These guidelines are not comprehensive, nor do they modify or replace rules, recommendations, standards, or regulations made by legal authorities or manufacturers.

As a responsible firearms supplier, Zenith believes that no issue is more important than firearm safety. We urge you to learn and practice the following guidelines and to make them your habit when handling firearms. This will help ensure safe handling of your firearm(s) and help prevent accidents. We also encourage you to complete an approved firearms safety-training course.

THE 3 CARDINAL FIREARMS SAFETY RULES

1. Always handle a firearm as if it is loaded

Even if you determine that a firearm is unloaded, always, always, always handle it like it IS loaded. When you handle a firearm, the first thing you should do (with the firearm pointed in a safe direction), is open the action to identify whether the firearm is loaded. If you do not know how to open the action, do not handle the firearm. And remember, removing a magazine alone does not make a firearm unloaded, as there may be a round in the chamber.

2. Always keep your finger out of the trigger guard and off the trigger until you are ready to shoot your target

Do not place your finger inside the trigger guard until you have placed a firearm's sights on your target and have decided to fire. The best place to rest your finger in the meantime is above the trigger guard along the frame. By waiting until you are aimed at your target, if the trigger were to be pressed, you will guarantee that a shot will travel safely in the direction of your intended target.

3. Always keep a firearm pointed in a safe direction, before and beyond your target

It is important to identify your actual target, but it is just as important to know what lies past and before your target. A safe direction is any direction where an unintentional discharge or miss will not cause injury or damage. In determining a safe direction, remember that a round can ricochet off an object like a floor, water or wall, or go through walls, floors, ceilings, and windows. Whether in a house or outdoors, the safest direction is the muzzle angled down toward the floor. And never point at or cross the muzzle of a firearm (loaded or unloaded) at any part of any person's body—the laser rule!

ADDITIONAL FIREARMS AND AMMUNITION RULES

ALWAYS KEEP CHILDREN AND OTHERS SAFE BY STORING FIREARMS SECURE AND AWAY FROM UNAUTHORIZED PERSONS

You should always store firearms and ammunition out of the sight and reach of children and anyone else who is not an intended user or not physically or mentally capable of handling and using them properly and safely. Store firearms in a safe storage place – ideally, one you can lock.

CAREFULLY READ THE ENTIRE INSTRUCTION MANUAL THAT COMES WITH YOUR FIREARM

You should only use a firearm if you fully understand how to safely operate it. All firearms come with an instruction manual created by the manufacturer. If the firearm does not come with an instruction manual, contact the manufacturer directly and request one.

ALWAYS DETERMINE THAT THE FIREARM IS SAFE TO OPERATE

Before shooting, make sure the firearm is in good working order, that the barrel is clear, and that the firearm is safe to operate. This is especially important when handling a firearm that has been stored or unused for a long period of time.

ALWAYS USE CORRECT AMMUNITION

Never use improper or incorrect ammunition. Only use ammunition that is recommended by the firearm manufacturer the caliber of your firearm. Most firearms have the caliber engraved or stamped on the barrel. Your ammunition should have the exact same caliber. If you use the incorrect ammunition, it can destroy a firearm and cause serious injury. Additionally, it voids your warranty.

WHEN CLEANING A FIREARM, MAKE SURE IT IS NOT LOADED

One of the most common statements following an accidental discharge is: “I was cleaning the firearm and it went off!” When you clean a firearm, make sure it is not loaded. You should keep the ammunition in another room until you have finished cleaning the firearm and are ready to reload.

NEVER USE FIREARMS WHILE USING DRUGS OR ALCOHOL

When you handle firearms, your judgment must NOT be impaired. You should NEVER handle firearms while under the influence of alcohol, illegal drugs or while using legal prescription medication that can make you tired or affect your senses, reflexes, or judgment.

USE EYE AND EAR PROTECTION

Always wear proper eye and ear protection while shooting firearms; ear protection will help prevent hearing loss from the extreme decibel level of gunfire, and eye protection will help prevent ejection gases, ricocheted objects, casings, or any foreign objects from damaging your eyes. Be smart, be safe.

MODELS

► OVER AND UNDER SHOTGUNS

EXCELLENCE SE12T	Over & Under With Ejector 12 Ga. Single Trigger - Side Plate
EXCELLENCE SE20T	Over & Under With Ejector 20 Ga. Single Trigger - Side Plate
EXCELLENCE SE12C	Over & Under With Ejector 12 Ga. Double Trigger - Side Plate
EXCELLENCE SE20C	Over & Under With Ejector 20 Ga. Double Trigger - Side Plate
AVANTGARDE SE12T	Over & Under With Ejector 12 Ga. Single Trigger - Raised Sides
AVANTGARDE SE20T	Over & Under With Ejector 20 Ga. Single Trigger - Raised Sides
AVANTGARDE SE12C	Over & Under With Ejector 12 Ga. Double Trigger - Raised Sides
AVANTGARDE SE20C	Over & Under With Ejector 20 Ga. Double Trigger - Raised Sides
PRIME SE12T	Over & Under With Ejector 12 Ga. Single Trigger - Standard
PRIME SE20T	Over & Under With Ejector 20 Ga. Single Trigger - Standard
PRIME SE12C	Over & Under With Ejector 12 Ga. Double Trigger - Standard
PRIME SE20C	Over & Under With Ejector 20 Ga. Double Trigger - Standard
EXCELLENCE S12T	Over & Under 12 Ga. Single Trigger - Side Plate
EXCELLENCE S20T	Over & Under 20 Ga. Single Trigger - Side Plate
EXCELLENCE S12C	Over & Under 12 Ga. Double Trigger - Side Plate
EXCELLENCE S20C	Over & Under 20 Ga. Double Trigger - Side Plate
AVANTGARDE S12T	Over & Under 12 Ga. Single Trigger - Raised Sides
AVANTGARDE S20T	Over & Under 20 Ga. Single Trigger - Raised Sides
AVANTGARDE S12C	Over & Under 12 Ga. Double Trigger - Raised Sides
AVANTGARDE S20C	Over & Under 20 Ga. Double Trigger - Raised Sides
PRIME S12T	Over & Under 12 Ga. Single Trigger - Standard
PRIME S20T	Over & Under 20 Ga. Single Trigger - Standard
PRIME S12C	Over & Under 12 Ga. Double Trigger - Standard
PRIME S20C	Over & Under 20 Ga. Double Trigger - Standard

► SIDE BY SIDE SHOTGUNS

EXCELLENCE C12T	Side By Side 12 Ga. Single Trigger - Side Plate
EXCELLENCE C20T	Side By Side 20 Ga. Single Trigger - Side Plate
EXCELLENCE C12C	Side By Side 12 Ga. Double Trigger - Side Plate
EXCELLENCE C20C	Side By Side 20 Ga. Double Trigger - Side Plate
AVANTGARDE C12T	Side By Side 12 Ga. Single Trigger - Raised Sides
AVANTGARDE C20T	Side By Side 20 Ga. Single Trigger - Raised Sides
AVANTGARDE C12C	Side By Side 12 Ga. Double Trigger - Raised Sides
AVANTGARDE C20C	Side By Side 20 Ga. Double Trigger - Raised Sides
PRIME C12T	Side By Side 12 Ga. Single Trigger - Standard
PRIME C20T	Side By Side 20 Ga. Single Trigger - Standard
PRIME C12C	Side By Side 12 Ga. Double Trigger - Standard
PRIME C20C	Side By Side 20 Ga. Double Trigger - Standard
COACH (EXC) C12T	Side By Side 12 Ga. Single Trigger - Side Plate
COACH (EXC) C20T	Side BY Side 20 Ga. Single Trigger - Side Plate

► SEMI-AUTOMATIC SHOTGUNS

SEMI AUTO K125	Semi Automatic - Inertia System, 12 Ga.
SEMI AUTO G125	Semi Automatic - Gas Operated System, 12 Ga.

ASSEMBLY *(Disassemble you shotgun by reversing these instructions.)*



STEP 1: Pull latch on the forearm that is mounted on the barrel.



STEP 2: Detach the forearm from the barrel by lifting off.



STEP 3: Push the top lever fully to the right.



STEP 4: While keeping the top lever pushed to the right, install the barrel to the receiver at an approx 40° angle. Be sure the barrel is completely installed to the receiver, otherwise the shotgun will not close.



STEP 5: Be sure that the ejectors are properly installed in the receiver.



STEP 6: Lift the barrel upwards to close the shotgun, be sure the barrel and receiver are properly aligned and the top lever returns slightly to the right of center. It is normal that the top lever does not return exactly to the center, this allows for wear.



STEP 7: Mount the forearm to the barrel. Be sure the opening latch of the forearm is completely closed.



STEP 8: Put the safety on by moving the safety switch to the rear position.

USAGE



STEP 1: Open your shotgun by pushing the top lever to the right while pushing the barrel downward.



STEP 2: **MAKE SURE THE SAFETY IS ON!** (Moved to rear, "S" exposed) Install suitable cartridges according to your shotgun's gauge and chamber length.



STEP 3: Close your shotgun. **WARNING: YOUR SHOTGUN IS NOW LOADED.** Move the safety to the forward position and pull the trigger to fire.



STEP 4: Barrel selection (single trigger models only). With the safety on, move the selector located inside the safety to the right to fire the bottom barrel first. After firing the bottom barrel, the top barrel will fire with another pull of the trigger.



STEP 5: Barrel selection (single trigger models only). With safety on, move the selector located inside the safety to the left to fire the top barrel first. After firing the top barrel, the bottom barrel will fire with another pull of the trigger.



STEP 6: After shooting, open the shotgun by pushing the top lever fully to the right. Fired cartridges will be lifted for easy removal or ejected if your gun is fitted with automatic ejectors.

CHOKE TUBES



The choke construction is designated by a series of notches at the muzzle end of the choke tube.

WARNING: Never check the choke designation, install choke tubes or remove choke tubes unless the gun is unloaded and the action is open.



Choke Tubes: Best Usage

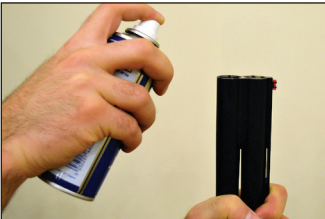
Full - No steel shot

Imp Mod - Steel shot OK

Mod

Imp Cyl - Slugs OK

Cyl - Slugs OK



STEP 1: Clean and lightly oil the choke threads in barrel.

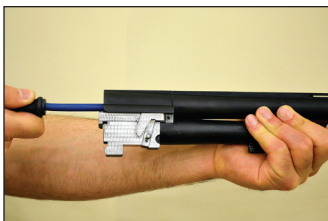


STEP 2: Clean and lightly oil choke tube.

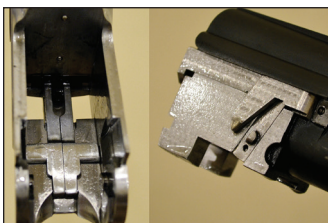


STEP 3: Carefully begin threading choke into shotgun and tighten until snug. Check choke occasionally to ensure it has remained tight after shooting.

MAINTENANCE



STEP 1: Apply cleaning lubricant to the barrel and connecting points and clean with a dry cloth. Next, apply a protective lubricant to the connecting points.

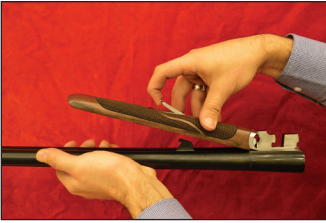


STEP 2: Repeat the same process on the receiver and forend latch with a cleaning and protective lubricant.

- Clean the barrel bore by passing a swab or cleaning patch through it to remove residue. If necessary, use a cleaning rod with a bore brush soaked in bore cleaning solvent.
- Run a clean dry cloth through the bore to remove excess residue.
- Lightly oil the inside of the barrel with a clean patch coated with oil.
- Apply a light coat of lubricant (preferably grease) to the connecting points of the receiver, barrels and forearm.
- Do not apply excess oil, grease or solvent. Excess cleaning fluids attract dirt, which can interfere with the function of the shotgun.
- Clean and lightly oil the external surface of the gun to remove any traces of dirt, moisture and fingerprints.

If you need further detailed maintenance, contact a professional gunsmith.

ASSEMBLY *(Disassemble you shotgun by reversing these instructions.)*



STEP 1: Pull latch on the forearm that is mounted on the barrel.



STEP 2: Detach the forearm from the barrel by lifting off.



STEP 3: Push the top lever fully to the right.



STEP 4: While keeping the top lever pushed to the right, install the barrel to the receiver at an approx 40° angle. Be sure the barrel is completely installed to the receiver otherwise the shotgun will not close.



STEP 5: Mount the forearm to the barrel. Make sure that the opening latch is completely closed.



STEP 6: Put the safety on by moving the safety switch to the rear.



NOTE: It is normal for the top lever to not be exactly in the center. This allows for wear.

USAGE



STEP 1: Open your shotgun by pushing the top lever to the right while pushing the barrel downward.



STEP 2: **MAKE SURE THE SAFETY IS ON!** (Moved to rear, "S" exposed) Install suitable cartridges according to your shotgun's gauge and chamber length.



STEP 3: Barrel selection (single trigger models only). With safety on, move the selector located inside the safety to the left to fire the left barrel first. After firing the left barrel, the right barrel will fire with another pull of the trigger.



STEP 4: Barrel selection (single trigger models only). With safety to the right, the right barrel will fire first. After firing the right barrel, the left barrel will fire with another pull of the trigger.



STEP 5: After shooting, open the shotgun by pushing the top lever fully to the right. Fired cartridges will be lifted for easy removal.

CHOKE TUBES



The choke construction is designated by a series of notches at the muzzle end of the choke tube.

WARNING: Never check the choke designation, install choke tubes or remove choke tubes unless the gun is unloaded and the action is open.



Choke Tubes: Best Usage

Full - No steel shot

Imp Mod - Steel shot OK

Mod

Imp Cyl - Slugs OK

Cyl - Slugs OK



STEP 1: Clean and lightly oil the choke threads in barrel.

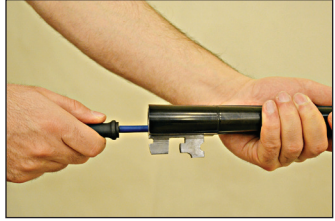
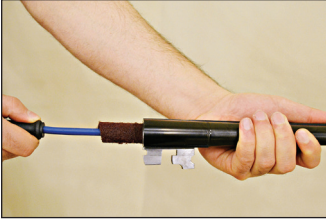


STEP 2: Clean and lightly oil choke tubes.



STEP 3: Carefully begin threading choke into shotgun and tighten until snug. Check choke occasionally to ensure it has remained tight after shooting.

MAINTENANCE



STEP 1: Apply cleaning lubricant to the barrel and connecting points and clean with a dry cloth. Next, apply a protective lubricant to the connecting points.



STEP 2: Repeat the same process on the receiver and forend latch with a cleaning and protective lubricant.

- Clean the barrel bore by passing a swab or cleaning patch through it to remove residue. If necessary, use a cleaning rod with a bore brush soaked in bore cleaning solvent.



Apply grease as shown above.

- Run a clean dry cloth through the bore to remove excess residue.
- Lightly oil the inside of the barrel with a clean patch coated with oil.
- Apply a light coat of lubricant (preferably grease) to the connecting points of the receiver, barrels and forearm.
- Do not apply excess oil, grease or solvent. Excess cleaning fluids attract dirt, which can interfere with the function of the shotgun.
- Clean and lightly oil the external surface of the shotgun to remove any traces of dirt, moisture and fingerprints.

If you need further detailed maintenance, contact a professional gunsmith.

ASSEMBLY *(Disassemble you shotgun by reversing these instructions.)*



STEP 1: Remove the magazine cap in front of the forearm by turning it counter-clockwise.



STEP 2: Dismantle the forend by pulling forward on the barrel end.



STEP 3: (G125 model only) Unscrew the supporter nut off of the magazine tube.



STEP 4: Slide the barrel lug over the magazine tube.



STEP 5: While assembling the barrel, pull back the bolt handle approximately one inch to the rear, allowing for easier alignment of the barrel. Make sure the barrel sits completely into the receiver.



STEP 6: (G125 model only) Tighten the supporter nut on the magazine tube.



ASSEMBLY *(continued)*

STEP 7: Assemble the forearm over the magazine tube and barrel. Make sure that the forearm is seated completely into the flange at the front of the receiver. Tighten the screw by turning clockwise.



STEP 8: Pull the cocking lever/bolt handle rearward until the action locks open.



STEP 9: Push the bolt release button on the right side of the receiver. The bolt will slide forward.
WARNING: Be careful that your fingers are clear of the ejection port. Keep your hand below the port.



STEP 10: Push the safety latch at the rear of the trigger guard fully to the right. Be sure that the **red color** is not seen.

LOADING



STEP 1: With the metal part of the shell to the rear, insert shells into the magazine tube until they lock. Repeat the operation until you have loaded the desired amount of shells. Make sure to load only suitable cartridges according to your shotgun's caliber & chamber specifications.



STEP 2: After filling the magazine, push the cartridge drop lever (small latch at the back of carrier) to allow the cartridge to drop into the carrier. The bolt will slide forward and chamber a round in step 3.



STEP 3: Pull the bolt handle back until the bolt locks in the rearward position. Push the bolt release button.



STEP 4: The bolt must be allowed to close forcefully to fully chamber the round. One cartridge from the magazine is now chambered. You can now place another cartridge into the magazine to replace the chambered round.

FIRING

- Push the safety to the left when you are ready to fire.
- You will see the **red color**.
- Make sure your finger is not in contact with the trigger as you are taking the safety off.
- Now your shotgun is ready to fire.
- When you fire, your shotgun will automatically eject the fired cartridge and replace it with one from the magazine until the gun is empty.
- At this point, the bolt will remain locked open, indicating that all rounds have been fired.

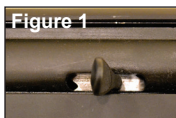


Figure 1

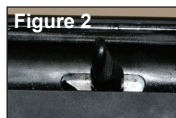


Figure 2

Figure 1: Semi-auto bolt handle shown in proper alignment for removal. Note the spacing of the bolt handle in front of the curved handle slot. Figure 2: Bolt handle the half-way out position.

UNLOADING



STEP 1: Pull the bolt handle to the rear to eject the round from the chamber.



STEP 3: Hold the carrier down and depress the feed latch.



STEP 2: The bolt will return to the closed position.



STEP 4: A cartridge will drop down to your finger on the carrier. Take out the cartridge. Repeat this process until the magazine is empty. Depress the cartridge drop lever at the back of the carrier and pull the bolt handle rearward until the bolt locks open, demonstrating that the shot gun is completely unloaded.

CHOKE TUBES



The choke construction is designated by a series of notches at the muzzle end of the choke tube.

WARNING: Never check the choke designation, install choke tubes or remove choke tubes unless the gun is unloaded and the action is open.

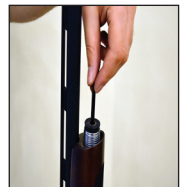


Choke Tubes: Best Usage

Full - No steel shot
Imp Mod - Steel shot OK
Mod
Imp Cyl - Slugs OK
Cyl - Slugs OK

REMOVING THE MAGAZINE PLUG

Regardless of the capacity of the shotgun, the shotgun is delivered to you as (2+1). You can change the capacity of the shotgun by removing the restrictor plug from the inside of the magazine tube.



- (901 & 920 models) First, remove the magazine cap. Gently pry the magazine cap upward and remove. Finish by reinstalling the magazine plug.

MAINTENANCE



STEP 1: Unscrew the magazine cap.



STEP 2: Remove the forearm by pushing it forward.



STEP 3: (G125 model only) Unscrew the supporter nut off the front of the magazine tube.



STEP 4: Dismantle the barrel by pulling forward and off the magazine tube.



STEP 5: O-ring is located inside the barrel ring so it's not visible on the magazine tube.



STEP 6: Slide the gas piston off the front the magazine tube.



STEP 7: Push the latch under the trigger group (loading figure 2/ cartridge drop lever). Pull back the bolt handle. Clean the outer surface of the magazine tube with a soft cloth.



STEP 8: Clean the inside and the outside of the piston using the same method.

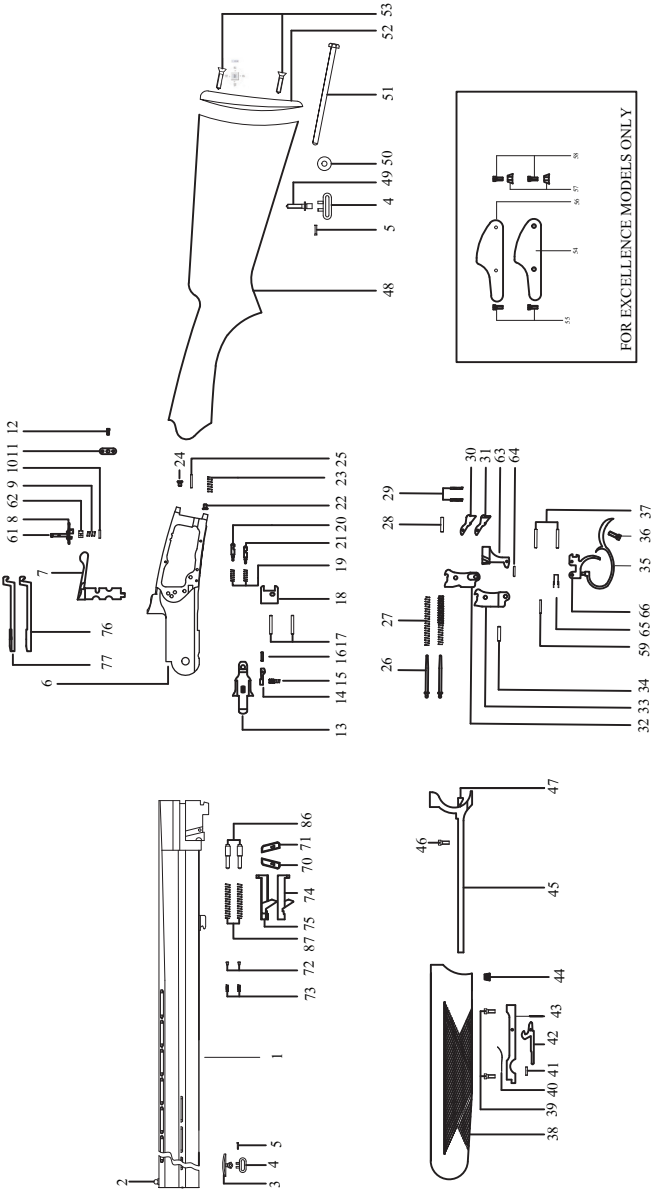


STEP 9: Clean the gas ports on the inside of the barrel lug. Clean inside of the barrel lug.

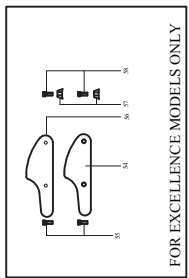
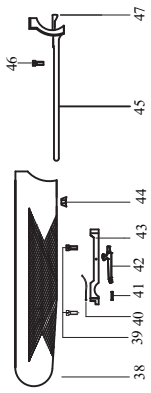
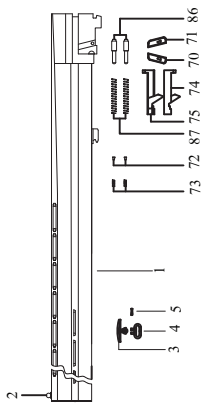
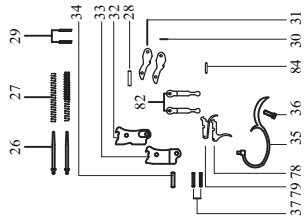
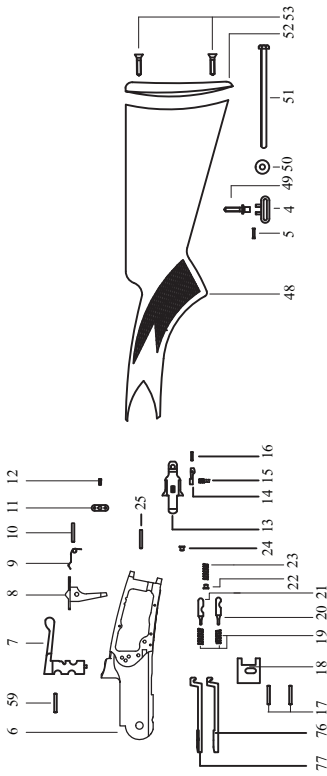
- Clean the barrel bore by passing a swab or cleaning patch through it to remove any residue. If necessary, use a cleaning rod with a bore brush soaked in bore cleaning solvent.
- Run a clean dry cloth through the bore to remove excess residue.
- Lightly oil the inside of the barrel with a clean patch coated with oil.
- Do not apply excess oil, grease or solvent. Excess cleaning fluids attract dirt, which can interfere with the function of the firearm.
- Clean and lightly oil the external surface of the firearm to remove any traces of dirt, moisture and fingerprints.
- Push the bolt release button while holding the bolt handle and allow the bolt to close slowly. Do not allow the bolt to close under force, since this may cause damage to the receiver.

If you need further detailed maintenance, contact a professional gunsmith.

OVER & UNDER DIAGRAM - SINGLE TRIGGER - AUTO EJECTOR

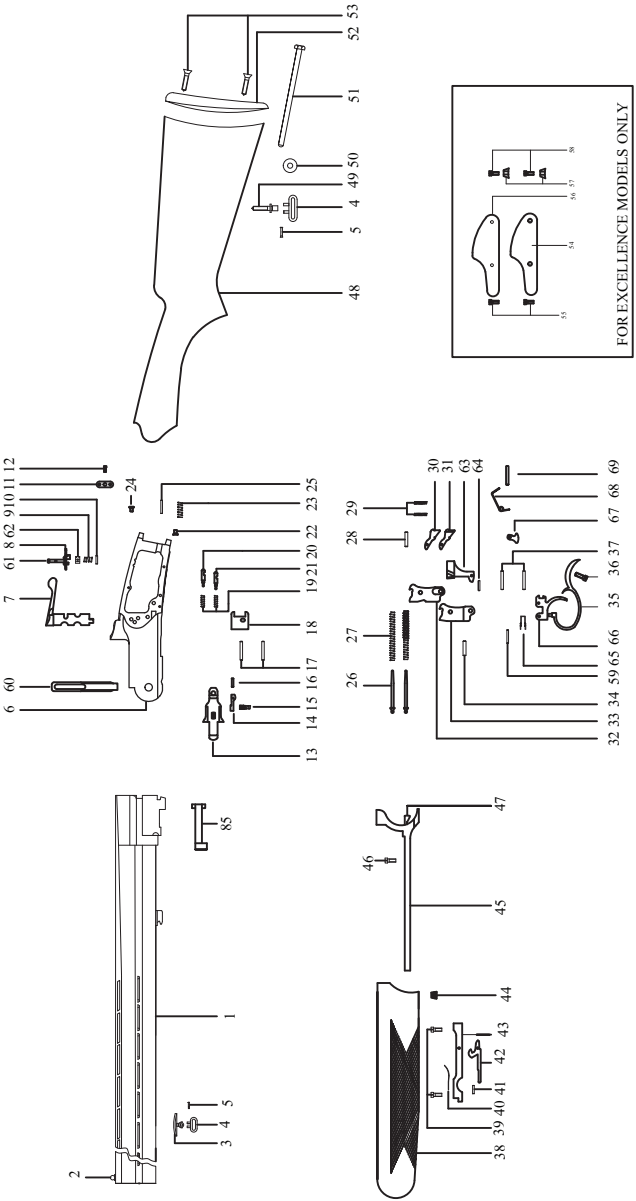


OVER & UNDER DIAGRAM - DOUBLE TRIGGER - AUTO EJECTOR

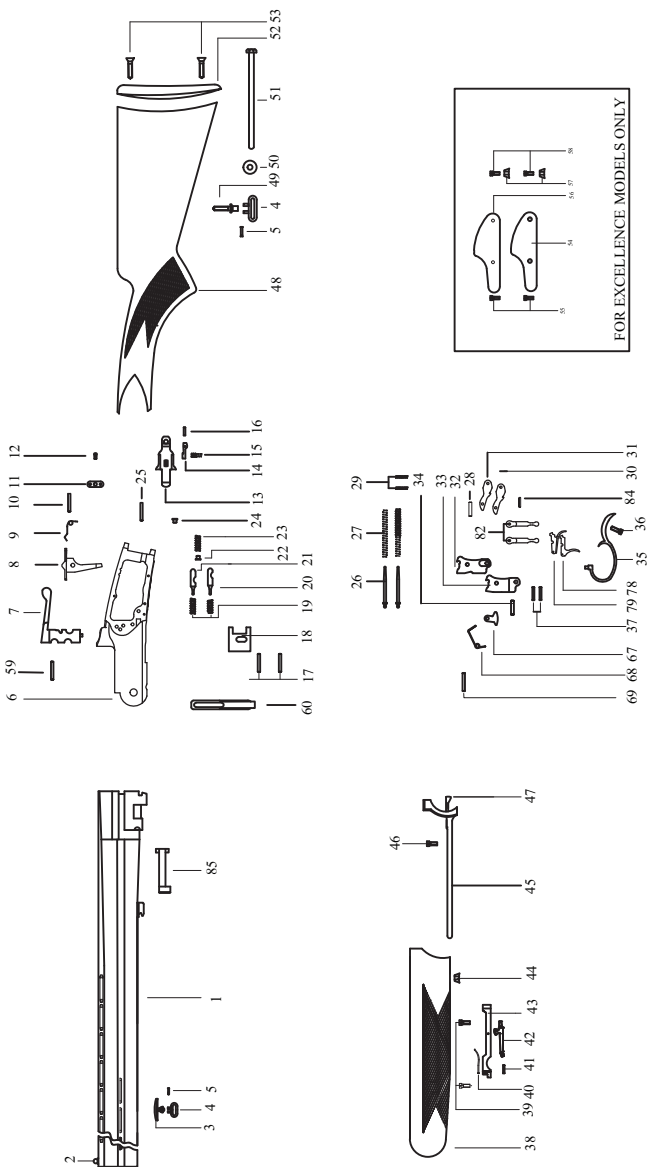


FOR EXCELLENCE MODELS ONLY

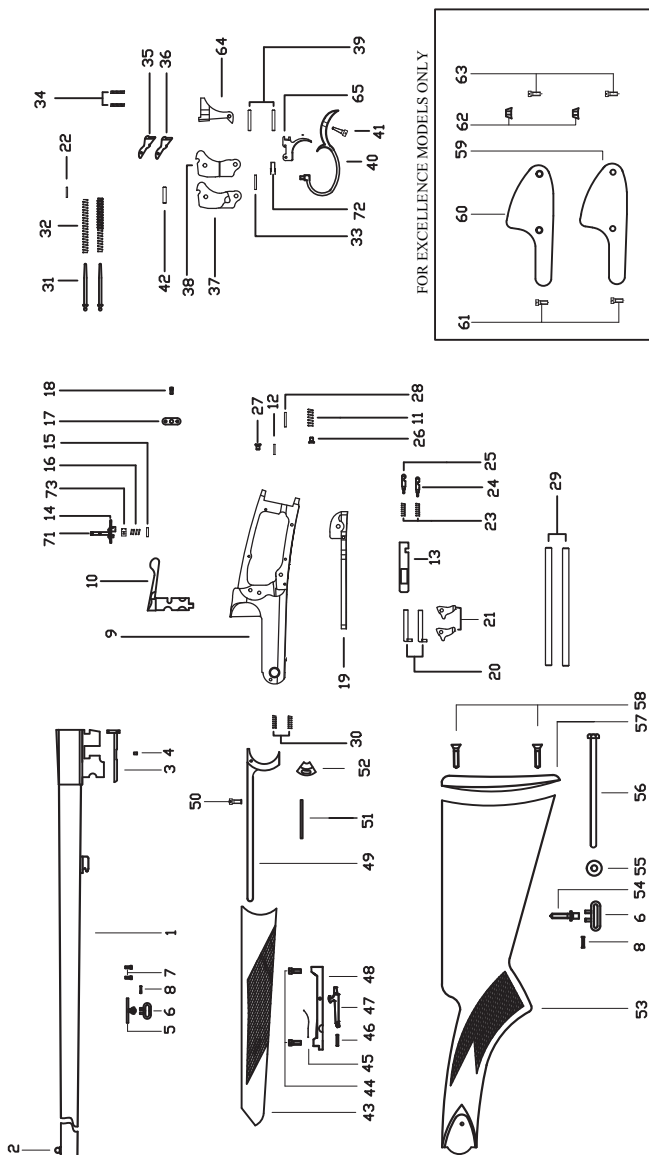
OVER & UNDER DIAGRAM - SINGLE TRIGGER



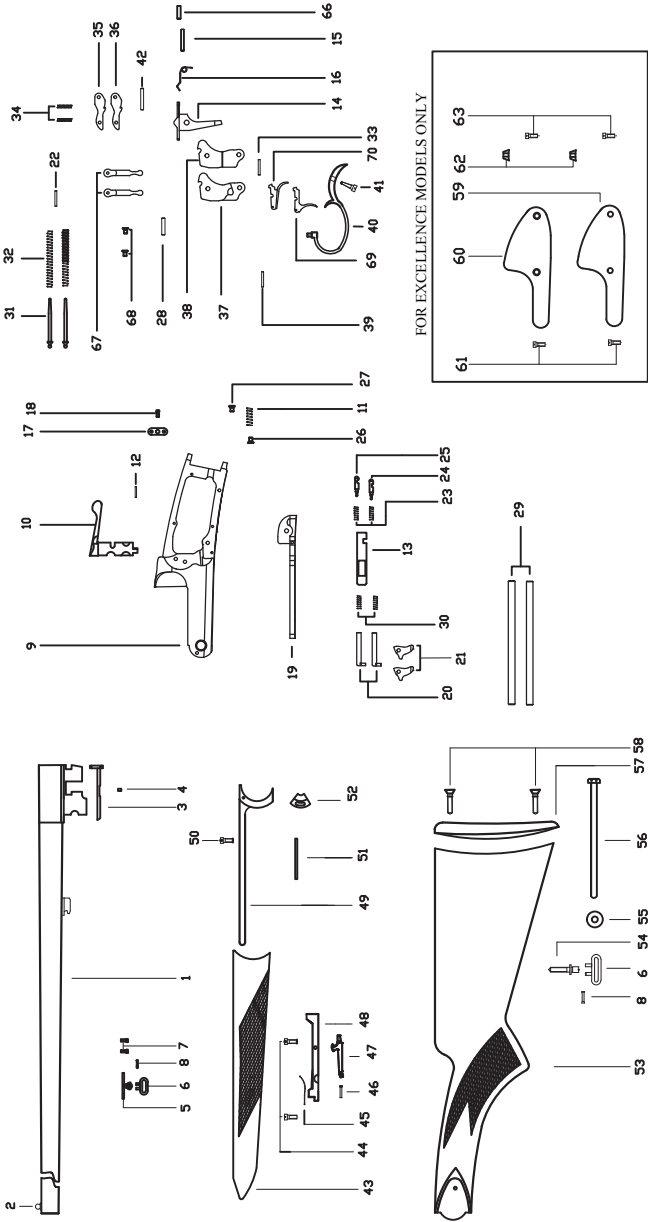
OVER & UNDER DIAGRAM - DOUBLE TRIGGER



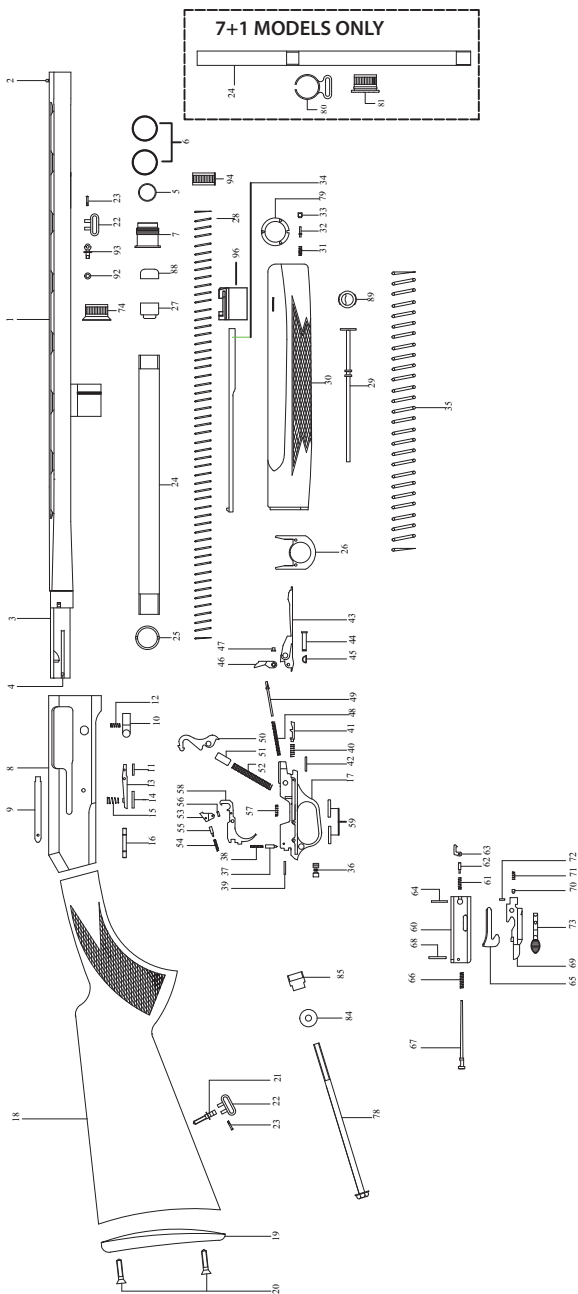
SIDE BY SIDE DIAGRAM - SINGLE TRIGGER



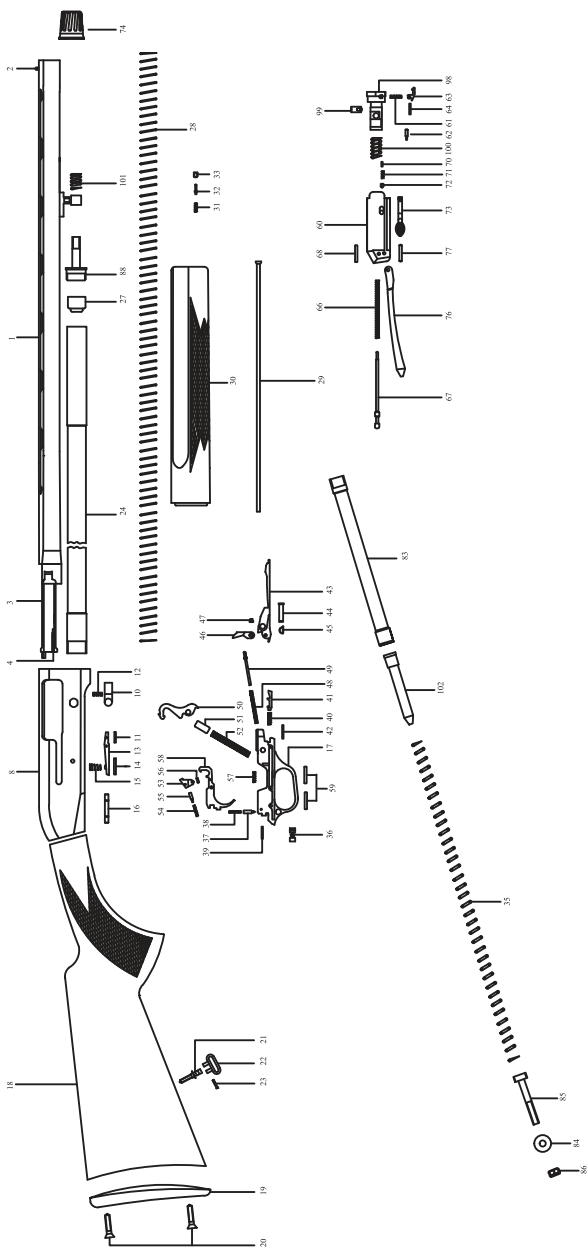
SIDE BY SIDE DIAGRAM - DOUBLE TRIGGER



SEMI-AUTOMATIC DIAGRAM - G125 (GAS OPERATED)



SEMI-AUTOMATIC DIAGRAM - K125 (INERTIA)



OVER & UNDER SHOTGUN - PARTS LIST

P.No.	PART NAME	P.No.	PART NAME
1	BARREL	45	FOREARM IRON
2	FRONT BEAD	46	ESCUTCHEON SCREW
3	BARREL SWIVEL STUD	47	FOREARM COCKING ARM
4	SWIVEL	48	STOCK
5	SWIVEL SCREW	49	STOCK SWIVEL STUD
6	RECEIVER	50	STOCK BOLT WASHER
7	TOP LEVER	51	STOCK BOLT
8	SAFETY	52	BUTT PLATE
9	SAFETY SPRING	53	BUTT PLATE SCREW
10	SAFETY SPRING PIN	54	SIDE PLATE (LEFT)
11	HAMMER SPRING PLATE	55	SIDE PLATE SCREW
12	HAMMER SPRING PLATE SCREW	56	SIDE PLATE (RIGHT)
13	LOWER RECEIVER	57	SIDE PLATE ESCUTCHEON COVER SCREW
14	LOCKING BLOCK HOLDER	58	SIDE PLATE COVER SCREW
15	LOCKING BLOCK HOLDER SPRING	59	TOP LEVER PIN
16	LOCKING BLOCK HOLDER PIN	60	COCKING ARM
17	FIRING PIN PINTLE	61	SAFETY LEVER
18	LOCKING BLOCK	62	SAFETY WASHER
19	FIRING PIN SPRING	63	SELECTOR
20	FIRING PIN (TOP)	64	SELECTOR PIN
21	FIRING PIN (BOTTOM)	65	TRIGGER SPRING
22	TOP LEVER SPRING PIN	66	TRIGGER
23	TOP LEVER SPRING	67	ROLLER
24	TOP LEVER SPRING RETAINER	68	ROLLER SPRING
25	TOP LEVER SPRING RETAINING PIN	69	ROLLER PIN
26	HAMMER SPRING PIN	70	WEDGE (RIGHT)
27	HOROZ YAYI / HAMMER SPRING	71	WEDGE (LEFT)
28	SEAR PIN	72	EJECTOR SEAR PIN
29	SEAR SPRING	73	EJECTOR SEAR SPRING
30	SEAR (RIGHT)	74	EJECTOR (RIGHT)
31	SEAR (LEFT)	75	EJECTOR (LEFT)
32	HAMMER (RIGHT)	76	COCKING ARM (RIGHT)
33	HAMMER (LEFT)	77	COCKING ARM (LEFT)
34	HAMMER PIN	78	TRIGGER (RIGHT)
35	TRIGGER GUARD	79	TRIGGER (LEFT)
36	TRIGGER GUARD SCREW	80	DAGGER
37	TRIGGER PIN	81	DAGGER SCREW
38	FOREARM	82	SEAR LEVER
39	TAKE DOWN LATCH SCREW	83	SAFETY PIN
40	TAKE DOWN LATCH SPRING	84	SEAR LEVER PIN
41	TAKE DOWN LATCH PIN	85	EXTRACTOR
42	TAKE DOWN LATCH	86	EJECTOR SPRING PIN
43	TAKE DOWN LATCH BRACKET	87	EJECTOR SPRING
44	ESCUTCHEON COVER SCREW		

SIDE BY SIDE SHOTGUN - PARTS LIST

<i>P.No.</i>	<i>PART NAME</i>	<i>P.No.</i>	<i>PART NAME</i>
1	BARREL	51	FOREARM COCKING ARM PIN
2	FRONT BEAD	52	FOREARM COCKING ARM
3	EXTRACTOR	53	STOCK
4	EXTRACTOR SCREW	54	STOCK SWIVEL STUD
5	BARREL SWIVEL STUD	55	STOCK BOLT WASHER
6	SWIVEL	56	STOCK BOLT
7	BARREL SWIVEL STUD SCREW	57	BUTT PLATE
8	SWIVEL SCREW	58	BUTT PLATE SCREW
9	RECEIVER	59	SIDE PLATE (LEFT)
10	TOP LEVER	60	SIDE PLATE (RIGHT)
11	TOP LEVER SPRING	61	SIDE PLATE SCREW
12	TOP LEVER SPRING RETAINING PIN	62	SIDE PLATE ESCUTCHEON COVER SCREW
13	LOCKING BLOCK	63	SIDE PLATE COVER SCREW
14	SAFETY	64	SELECTOR
15	SAFETY SPRING PIN	65	TRIGGER
16	SAFETY SPRING	66	SAFETY PIN
17	HAMMER SPRING PLATE	67	SEAR LEVER
18	HAMMER SPRING PLATE SCREW	68	SEAR LEVER PIN
19	LOWER RECEIVER	69	TRIGGER (RIGHT)
20	COCKING ARM CARRIERS	70	TRIGGER (LEFT)
21	COCKING ARM LEVER	71	SAFETY LEVER
22	FIRING PIN PINTLE	72	TRIGGER SPRING
23	FIRING PIN SPRING	73	SAFETY WASHER
24	FIRING PIN (LEFT)	74	LOWER RECEIVER PIN
25	FIRING PIN (RIGHT)	75	SAFETY SPRING PIN
26	TOP LEVER SPRING PLUNGER	76	CROWN
27	TOP LEVER SPRING RETAINER	77	TANG SCREW
28	TOP LEVER LOCKING PIN	78	LOWER RECEIVER REAR SCREW
29	COCKING ARM	79	SAFETY INTERIOR PIN
30	COCKING ARM SPRING	80	SAFETY INTERIOR
31	HAMMER SPRING PIN	81	HAMMER (LEFT)
32	HAMMER SPRING	82	HAMMER (RIGHT)
33	HAMMER PIN	83	HAMMER SCREW
34	SEAR-SELECTOR SPRING	84	HAMMER SPRING (LEFT)
35	SEAR (RIGHT)	85	HAMMER SPRING (RIGHT)
36	SEAR (LEFT)	86	HOLDER (LEFT)
37	HAMMER (LEFT)	87	HOLDER (RIGHT)
38	HAMMER (RIGHT)	88	PLATE IMMOBILIZATION SCREW
39	TRIGGER PIN	89	PUMP (LEFT)
40	TRIGGER GUARD	90	PUMP (RIGHT)
41	TRIGGER GUARD SCREW	91	HAMMER SPRING CONTRA SCREW
42	SEAR PIN	92	SIDE LOCK (LEFT)
43	FOREARM	93	SIDE LOCK (RIGHT)
44	TAKE DOWN LATCH SCREW	94	RESTRAINT SEAR SCREW
45	TAKE DOWN LATCH SPRING	95	RESTRAINT (LEFT)
46	TAKE DOWN LATCH PIN	96	RESTRAINT (RIGHT)
47	TAKE DOWN LATCH	97	SEAR (LEFT)
48	TAKE DOWN LATCH BRACKET	98	SEAR (RIGHT)
49	FOREARM IRON	99	SEAR-SELECTOR SPRING (LEFT)
50	ESCUTCHEON SCREW	100	SEAR-SELECTOR SPRING (RIGHT)

SEMI-AUTOMATIC SHOTGUN - PARTS LIST

<i>P.No.</i>	<i>PART NAME</i>	<i>P.No.</i>	<i>PART NAME</i>
1	BARREL	52	HAMMER SPRING
2	FRONT BEAD	53	SEAR
3	BEARING BOLT	54	SEAR SPRING
4	EJECTOR	55	SEAR PLUNGER
5	RUBBER GAS RING	56	SEAR PIN
6	GAS PISTON WASHER	57	TRIGGER SPRING
7	GAS PISTON	58	TRIGGER
8	RECEIVER	59	TRIGGER PIN
9	TRACER WEDGE	60	BREECH BOLT
10	BOLT RELEASE	61	EXTRACTOR SPRING
11	BOLT RELEASE PIN	62	EXTRACTOR SPRING PIN
12	BOLT RELEASE SPRING	63	EXTRACTOR
13	BOLT RELEASE LATCH	64	EXTRACTOR RETAINING PIN
14	BOLT RELEASE LATCH PIN	65	LOCKING BLOCK
15	BOLT RELEASE LATCH SPRING	66	FIRING PIN SPRING
16	TRIGGER GUARD PIN	67	FIRING PIN
17	TRIGGER GUARD	68	FIRING PIN RETAINER
18	STOCK	69	BOLT BLOCK
19	BUTT PLATE	70	BOLT LEVER BLOCK PIN
20	BUTT PLATE SCREW	71	BOLT LEVER BLOCK SPRING
21	STOCK SWIVEL STUD	72	BOLT LEVER BLOCK SPRING PIN
22	SWIVEL	73	OPERATING HANDLE
23	SABÍLEME VÍDASI / SWIVEL SCREW	74	MAGAZINE CAP
24	MAGAZINE TUBE	75	ACTION PIPE
25	FOREARM SUPPORT RING	76	ACTION SUPPORTER
26	FOREARM PLATE RING	77	ACTION SUPPORTER PIN
27	MAGAZINE FOLLOWER	78	STOCK BOLT
28	MAGAZINE SPRING	79	MAGAZINE CAP SUPPORT
29	MAGAZINE PLUG	80	7+1 SWIVEL
30	FOREARM	81	7+1 MAGAZINE CAP
31	MAGAZINE CAP SPRING	82	SWIVEL HOLDER
32	MAGAZINE CAP PIN	83	ACTION TUBE
33	MAGAZINE CAP SCREW	84	STOCK BOLT WASHER
34	ACTION BAR	85	STOCK BOLT RECEIVER
35	ACTION SPRING	86	STOCK BOLT RING
36	SAFETY	87	STOCK BOLT SCREW
37	SAFETY PLUNGER	88	MAGAZINE SPRING RETAINER
38	SAFETY SPRING	89	MAGAZINE PLUG RETAINER
39	SAFETY SPRING PLUNGER	90	PLUG PLATE
40	CARRIER SPRING	91	MAGAZINE CAP INTERIOR
41	CARRIER PLUNGER	92	SWIVEL STUD RETAINER
42	CARRIER RETAINING PIN	93	SWIVEL STUD
43	CARRIER	94	SUPPORTER NUT
44	TRIGGER ASSEMBLY PIN SLEEVE	95	BARREL MOVEMENT SPRING
45	TRIGGER ASSEMBLY PIN RETAINER	96	ACTION BAR SLEEVE
46	CARRIER DOG	97	BARREL SPRING RETAINING NUT
47	CARRIER DOG PIN	98	LOCKING HEAD
48	CARRIER DOG SPRING	99	LOCKING HEAD PIN
49	CARRIER DOG PLUNGER	100	LOCKING HEAD SPRING
50	HAMMER	101	MAGAZINE CAP SPRING
51	HAMMER PLUNGER	102	RECOIL SPRING WEIGHT



Zenith Firearms Warranty

At Zenith Firearms, we believe in the quality of our firearms, and we want you to as well.

Age and wear cannot be covered under warranty, as the mechanical parts and materials that make up firearms eventually wear out. However, defective parts, materials, and workmanship are not acceptable, and we will stand behind our products. We warrant our firearms to be free from defects in performance and workmanship for five years from the date of purchase. If you have a problem that is directly attributable to the quality of our product, it's on us to make it right, shipping and handling included.

However, if you abuse, improperly maintain, or alter the internal workings of your Zenith firearm in any way, we will not warranty damage that occurs. Likewise, if you use improper or incompatible ammunition or parts, we will not warranty damage that occurs. This includes altering a serial number.

If you have a problem with your firearm, fill out the Zenith Warranty Form (found under the warranty hyperlink at the bottom of our website) and send to us at warranty@zenithfirearms.com, or fax to 800-466-4444.

A representative will contact you with instructions on shipping your firearm for inspection. We recommend that you send your firearm through a licensed FFL dealer, or by insured shipping via FedEx or UPS (but not through the U.S. Mail).

RETURN WITHOUT REPAIR

If we receive your firearm and determine that its damage is unwarrantable, we will contact you with an explanation and an estimation of your cost to have us repair or refurbish it. If you would rather we simply return your firearm to you, we will cover the cost of shipping to do so.

FREE REPAIR AND RETURN

If your firearm is defective and we determine the defect is warrantied, Zenith will try to repair it. If we repair your firearm, after doing so we will ship it directly back to you, provided you originally shipped it to us from your address. If your firearm cannot be repaired, we will consider replacing it. If we end up replacing your firearm, we will ship it back to you via a licensed FFL dealer, and there may be additional charges that you'll have to cover, such as transfer fees and background check fees. In either case, though, we will pay for shipping.

LIMITATIONS ON WARRANTY

OUR ONLY RESPONSIBILITY IN THE CASE OF BREACH OF WARRANTY IS REPAIR. ZENITH FIREARMS SHALL NOT BE LIABLE FOR ANY OTHER DAMAGES, INCLUDING DIRECT, INDIRECT, OR CONSEQUENTIAL DAMAGES.

Please Note: This warranty gives you specific legal rights, and you may also have other rights, which vary from state to state, as some jurisdictions do not allow limitations on certain damages and warranties.



Zenith Firearms

10950 Rockfish Valley Highway, Suite C, Afton, VA 22920

Tel: 434.202.7790 | Fax: 800.466.4444

info@zenithfirearms.com | www.zenithfirearms.com