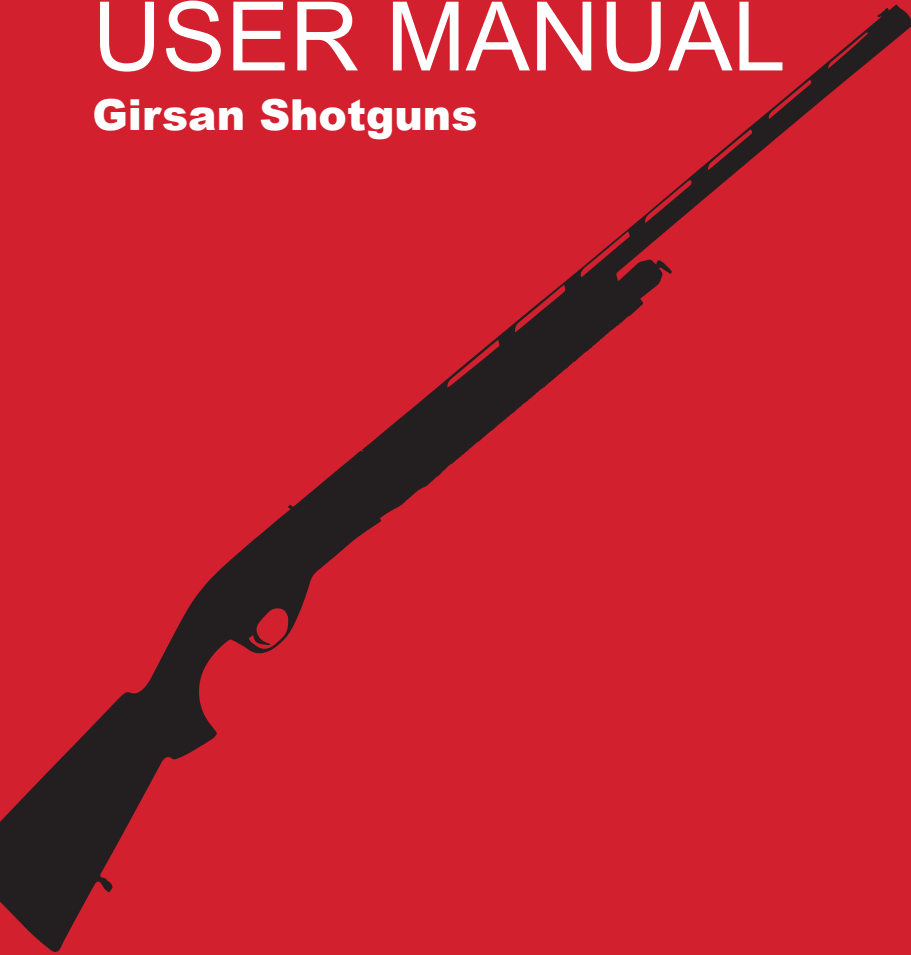


USER MANUAL

Girsan Shotguns



- **MC312 S1** (12 Gauge Semi-Automatic)
- **MC312T** (12 Gauge Semi-Automatic)
- **MC3512** (12 Gauge Semi-Automatic)



Come shoot the quality.

Zenith Firearms, an American importer of high quality firearms and accessories, is a proud distributor of GİRSAN firearms. GİRSAN is the producer of Yavuz 16 pistols which are used by Turkey's foremost civilian and official establishments.



WARNING

Please read this user manual carefully before using the firearm.

WARNING

Do not use this shotgun until you fully understand all of the safety instructions and handling procedures.

NOTE

Should you require further information, please call a Zenith Firearms representative at 434.202.7790.



INDEX

1. GENERAL WARNINGS	4
2. SAFETY GUIDELINES	4
3. PRODUCT PRESENTATION AND SPECIFICATIONS	8
4. TECHNICAL SPECIFICATIONS	9
5. OPERATING SYSTEM	10
6. ASSEMBLY	11
7. LOADING	12
8. UNLOADING	12
9. DISASSEMBLY FOR MAINTENANCE AND CLEANING	13
10. CLEANING	14
11. CHOKE TUBES	14
12. EXPLODED DRAWINGS AND PART LIST	16
13. TROUBLESHOOTING	25
12. WARRANTY CERTIFICATE	26

1. GENERAL WARNINGS

- Read this user manual carefully before using the product.
- Do not use any firearm before reading the safety rules and maintenance instructions.
- Obey the laws in your country referring to firearms purchasing, carrying and use.

All firearms are dangerous. Zenith Firearms and GİRSAN are not responsible for any damage that results from the improper use of your firearm.

2. ESSENTIAL FIREARM SAFETY GUIDELINES

These firearm safety guidelines have been prepared by Zenith Firearms, based upon currently available information. They are provided to you as a courtesy and in the interest of furthering safety. These guidelines are not comprehensive, nor do they modify or replace rules, recommendations, standards, or regulations made by legal authorities or manufacturers.

As a responsible firearms supplier, Zenith believes that no issue is more important than firearm safety. We urge you to learn and practice the following guidelines and to make them your habit when handling firearms. This will help ensure safe handling of your firearm(s) and help prevent accidents. We also encourage you to complete an approved firearms safety-training course.

THE 3 CARDINAL FIREARMS SAFETY RULES

1. Always handle a firearm as if it is loaded

Even if you determine that a firearm is unloaded, always, always, always handle it like it IS loaded. When you handle a firearm, the first thing you should do (with the firearm pointed in a safe direction), is open the action to identify whether the firearm is loaded. If you do not know how to open the action, do not handle the firearm. And remember, removing a magazine alone does not make a firearm unloaded, as there may be a round in the chamber.

2. Always keep your finger out of the trigger guard and off the trigger until you are ready to shoot your target

Do not place your finger inside the trigger guard until you have placed a firearm's sights on your target and have decided to fire. The best place to rest your finger in the meantime is above the trigger guard along the frame. By waiting until you are aimed at your target, if the trigger were to be pressed, you will guarantee that a shot will travel safely in the direction of your intended target.

3. Always keep a firearm pointed in a safe direction, before and beyond your target

It is important to identify your actual target, but it is just as important to know what lies past and before your target. A safe direction is any direction where an unintentional discharge or miss will not cause injury or damage. In determining a safe direction, remember that a round can ricochet off an object like a floor, water or wall, or go through walls, floors, ceilings, and windows. Whether in a house or outdoors, the safest direction is the muzzle angled down toward the floor. And never point at or cross the muzzle of a firearm (loaded or unloaded) at any part of any person's body—the laser rule!

ADDITIONAL FIREARMS AND AMMUNITION RULES

ALWAYS KEEP CHILDREN AND OTHERS SAFE BY STORING FIREARMS SECURE AND AWAY FROM UNAUTHORIZED PERSONS

You should always store firearms and ammunition out of the sight and reach of children and anyone else who is not an intended user or not physically or mentally capable of handling and using them properly and safely. Store firearms in a safe storage place – ideally, one you can lock.

CAREFULLY READ THE ENTIRE INSTRUCTION MANUAL THAT COMES WITH YOUR FIREARM

You should only use a firearm if you fully understand how to safely operate it. All firearms come with an instruction manual created by the manufacturer. If the firearm does not come with an instruction manual, contact the manufacturer directly and request one.

ALWAYS DETERMINE THAT THE FIREARM IS SAFE TO OPERATE

Before shooting, make sure the firearm is in good working order, that the barrel is clear, and that the firearm is safe to operate. This is especially important when handling a firearm that has been stored or unused for a long period of time.

ALWAYS USE CORRECT AMMUNITION

Never use improper or incorrect ammunition. Only use ammunition that is recommended by the firearm manufacturer the caliber of your firearm. Most firearms have the caliber engraved or stamped on the barrel. Your ammunition should have the exact same caliber. If you use the incorrect ammunition, it can destroy a firearm and cause serious injury. Additionally, it voids your warranty.

WHEN CLEANING A FIREARM, MAKE SURE IT IS NOT LOADED

One of the most common statements following an accidental discharge is: “I was cleaning the firearm and it went off!” When you clean a firearm, make sure it is not loaded. You should keep the ammunition in another room until you have finished cleaning the firearm and are ready to reload.

NEVER USE FIREARMS WHILE USING DRUGS OR ALCOHOL

When you handle firearms, your judgment must NOT be impaired. You should NEVER handle firearms while under the influence of alcohol, illegal drugs or while using legal prescription medication that can make you tired or affect your senses, reflexes, or judgment.

USE EYE AND EAR PROTECTION

Always wear proper eye and ear protection while shooting firearms; ear protection will help prevent hearing loss from the extreme decibel level of gunfire, and eye protection will help prevent ejection gases, ricocheted objects, casings, or any foreign objects from damaging your eyes. Be smart, be safe.

3. PRODUCT PRESENTATION AND SPECIFICATIONS

Your shotgun comes with the accessories listed below:

- Shotgun
- 5 choke tubes
- Magazine limiter
- User manual
- Cleaning and oiling supplies

GENERAL SPECS OF THE SHOTGUN

There are differences among the G1RSAN shotguns, but this series all use a similar operating system.

MC312 S1/MC312T/MC3512 semi-auto shotguns have a manual safety lever which can be pushed from left to right to put the safety on (safe position). When the safety latch is pushed from right to left the manual safety will be off, and the shotgun will be ready to shoot. A red dot will be visible on the manual safety latch when the safety is off (ready to shoot).



4. TECHNICAL SPECIFICATIONS

SPECS	MC312 S1	MC312T	MC3512
Operating System	semi-automatic inertial with rotary bolt system	semi-automatic inertial with rotary bolt system	semi-automatic inertial with rotary bolt system
Gauge	12 gauge	12 gauge	12 gauge
Chamber	2.75-3 inches	2.75-3 inches	2.75-3 inches and 3.5 inches
Barrel Length	20, 22, 24, 26, 28, 30-inches	18.5 inches	20, 22, 24, 26, 28, 30-inches
Barrel	chrome-lined	chrome-lined	chrome-lined
Magazine Capacity	(2+1), (4+1), (5+1)	(2+1), (5+1), (7+1)	(2+1), (3+1)
Recoil Pad	ergonomic rubber	ergonomic rubber	ergonomic rubber
Safety	manual, reversible safety button	manual, reversible safety button	manual, reversible safety button
Weight (for 12 gauge)	6.5 - 7.0 lbs.	6.5 - 7.0 lbs.	6.5 - 7.0 lbs.
Stock and Forend	synthetic/walnut	synthetic	synthetic
Chokes	mobile choke system (1-2-3-4-5)	tactical chokes	mobile choke system (1-2-3-4-5)
Locking System	rotating bolt with reinforced lugs	rotating bolt with reinforced lugs	rotating bolt with reinforced lugs
Receiver	aluminum alloy receiver	aluminum alloy receiver	aluminum alloy receiver
Trigger	black w/optional gold and chrome	black	black w/optional gold and chrome
Front Sight	fiber optic	tactical fiber optic	fiber optic

NOTE : Camouflage coating is optional. We offer *Mossy Oak Break Up*, *Mossy Oak Duck Blind*, *Mossy Oak Treestand*, *Mossy Oak Carbon Fiber*, *Digital Desert MARPAT*, and *Digital Forest MARPAT*

5. OPERATING SYSTEM

The MC312 S1/MC312T/MC3512 semi-automatic shotgun operates on kinetic recoil (inertia) energy. Recoil energy cycles the action. This operating system also utilizes a rotary head on the bolt.

The MC312 S1/MC312T/MC3512 does not use gas pressure to operate the system, so there is no loss of pressure. This provides more efficient shooting at farther distances than other shotguns, and is a cleaner operating system.



6. ASSEMBLY



WARNING

Make sure that the safety is on while assembling your shotgun.

ASSEMBLY OF HAND GUARD TO BARREL

- Remove the forearm screw by turning counter clockwise, then remove the hand guard by pulling it gently off the receiver.
- For the MC312T, slide the forward edge of the hand guard under the barrel, from rear to front, mating the circular opening to the circular steel attachment support.
- For all other models, slide the rear edge of the hand guard under the barrel, from front to rear, guiding the steel attachment block into the groove until it is fully inserted.

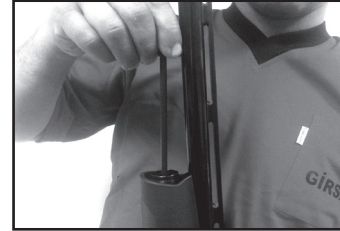


ASSEMBLY OF HAND GUARD AND BARREL TO THE RECEIVER

- Slide the barrel and hand guard assembly over the magazine tube until the barrel locks in place in the upper. Secure with knurled end cap. It may be necessary to adjust the bolt slightly to ensure the barrel seats fully.

REMOVAL OF LIMITER

- The limiter reduces the shotgun's capacity to two cartridges. To remove this, simply remove forearm cap and then remove the limiter. Replace screw cap.



7. LOADING

LOADING CARTRIDGES INTO THE MAGAZINE

- First, select the appropriate cartridge according to your type of shooting (hunting or target shooting, etc.). Push the cartridge inside the magazine with your thumb until it locks over the rim. Continue feeding cartridges until the capacity desired is reached.

INSERTING CARTRIDGES INTO THE CHAMBER

- Ensure that the shotgun safety is on. After loading the magazine, press the **trigger group lever**. Pull back and release the charging handle. A cartridge will eject into the cartridge's spoon and load into the chamber. Your shotgun is ready to shoot. When you are ready, push the safety lever off and then prepare to shoot.

8. UNLOADING

REMOVING CARTRIDGES FROM THE CHAMBER

- Press the **trigger group lever** and pull the charging handle to the rear.

UNLOADING THE CARTRIDGE FROM THE MAGAZINE

- Press and hold the trigger group lever while pulling the charging handle repeatedly until the magazine is empty.

9. DISASSEMBLY FOR CLEANING & MAINTENANCE

PULLING BACK THE CHARGING HANDLE AND LOCKING OPEN

- Ensure the shotgun is unloaded (see *Unloading*, above).
- Press trigger group lever. Pull the charging handle fully back to lock it open.

DISASSEMBLY OF BARREL

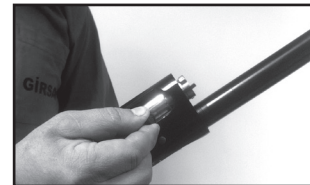
- Ensure the bolt is forward. Remove the forearm screw by turning counter-clockwise and then remove forearm and barrel by pulling gently. Separate the forearm from the barrel by pulling gently at the base.

REMOVING THE BOLT

- Remove the barrel assembly (see above). Make sure that the bolt is not locked to the rear. If it is locked, press the bolt release button and release bolt forward slowly. Take out bolt handle by pulling it out gently. The bolt handle is held into the bolt carrier by friction alone. Take out the bolt by turning the barrel over. Be careful to not drop the bolt.

REMOVING THE TRIGGER GROUP

- Remove the barrel assembly and bolt (see above). Push the assemble pin partially out with another pin and then remove it fully. Remove the trigger group by gently pulling the trigger group lever.



USAGE OR CORRECT CARTRIDGE

- The MC312 S1/MC312T/MC3512 is a semi-automatic, 12 gauge shotgun. The MC312 S1/MC312T can fire 2.75 to 3 inch shells and the MC3512 can fire 2.75-3.5 inch shells. All models shoot shells with weights between 1 and 2.25 ounces.

10. CLEANING

- Ensure the firearm is unloaded (see *Unloading*, page 12).
- Apply a proper cleaning agent or gun oil to brush and brush the chamber and barrel from breach end (preferably).
- Use brush or rag with cleaner or oil to wipe down bolt face and receiver.
- Using a swab, clean barrel and chamber until swab or patch comes out clean.
- Using a rag or patch, wipe down the receiver and exterior.
- Lightly oil all parts except firing pin. Do not oil firing pin hole.
- Only break down bolt with assistance of an armorer or gunsmith.

11. CHOKE TUBES

All semi-automatic shotguns (except slug model) are provided with changeable chokes and choke key. These different chokes modify shot dispersion. Choke key is inserted in choke tube slot to remove choke from the barrel.

USE OF CHOKES TUBES

Please use the chart below to identify choke tubes and uses.

CHOKE MARK	DEFINITION	AREA OF USE	PATTERN	NOTE
*	F (full)	Long-range hunting	Most dense ↑ ↓ Least dense	No steel shot
**	IM (improved modified)	Long-range hunting		Steel shot OK
***	M (modified)	Medium-range hunting		N/A
****	IC (improved cylinder)	Short-range hunting		Slugs OK
*****	Cylinder	Very short-range hunting		Slugs OK

CHANGING CHOKE TUBES

- Using the supplied choke wrench, turn the installed choke tube counter-clockwise until removed.
- Select desired choke tube and reinstall turning clockwise until snug. Use the choke tube wrench to tighten adequately.
- Chokes tubes may become loose after repeated firing and should be checked frequently.

STEEL SHOT

Steel shot must not be used in full value (*) choke tubes.



WARNING

Before shooting with steel shot cartridge, please be sure your choke includes steel shot written on it. If it isn't written you can damage your shotgun and chokes.

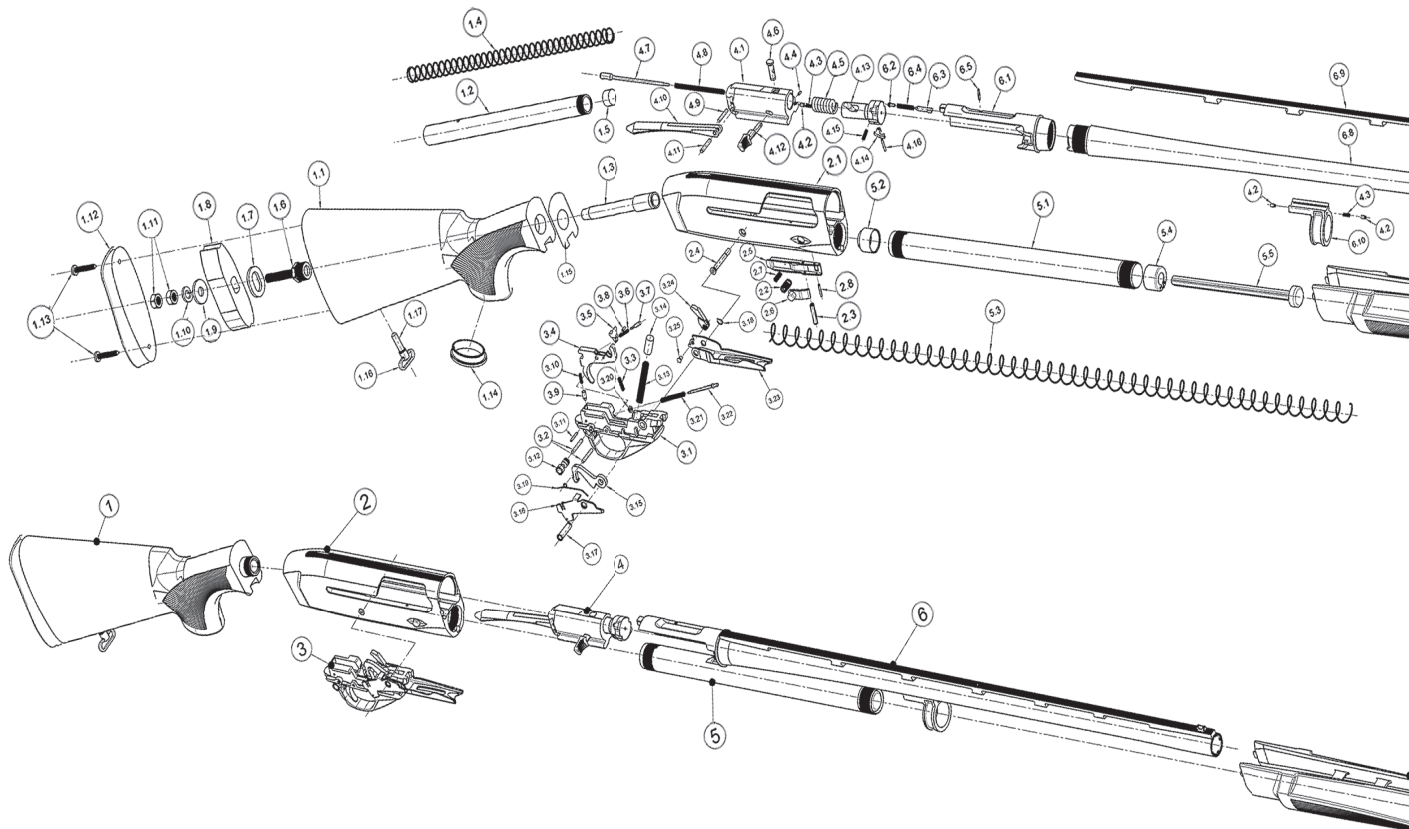


WARNING

Slugs may be used in improved cylinder (***) and cylinder (****) chokes.

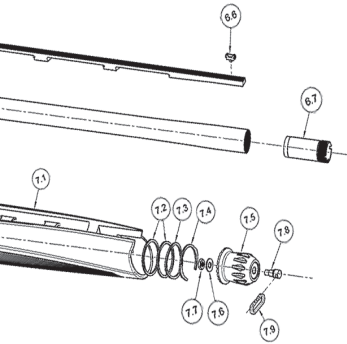
Note: Do not fire shotgun without choke tube installed or damage may occur to threading in barrel.

12. EXPLODED DRAWINGS



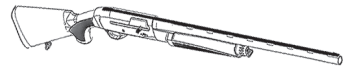
1-STOCK GROUP

- 1.1 STOCK (Y0312110000)
- 1.2 RECOIL SPRING GUIDE (Y0312112000)
- 1.3 RECOIL SPRING WEIGHT (Y0312114000)
- 1.4 RECOIL SPRING (Y0312116000)
- 1.5 SHOCK ABSORBER (Y0312118000)
- 1.6 SCREW (Y0312120000)
- 1.7 OVAL WASHER (Y0312122000)
- 1.8 STOCK SKID (Y0312124000)
- 1.9 WASHER (Y0312126000)
- 1.10 RONDELA (Y0312128000)
- 1.11 NUT (Y0312130000)
- 1.12 PAD [RUBBER] (Y0312132000)
- 1.13 PAD SCREW (Y0312134000)
- 1.14 ROSETTE (Y0312136000)
- 1.15 STOCK ADJUSTING PART (Y0312138000)
- 1.16 BELT HOLDER (Y0312142000)
- 1.17 BELT HOLDER PIN (Y0312144000)



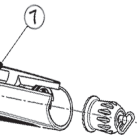
2-FRAME GROUP

- 2.1 FRAME (Y0312310000)
- 2.2 FRAME SHEET SPRING (Y0312312000)
- 2.3 FRAME SHEET PIN (Y0312314000)
- 2.4 FRAME ASSEMBLY PIN (Y0312316000)
- 2.5 FRAME SHEET METAL BUSHING (Y0312322000)
- 2.6 FRAME SHEET METAL BUSHING (Y0312324000)
- 2.7 FRAME SHEET METAL BUSHING SPRING (Y0312326000)
- 2.8 FRAME SHEET METAL PIN (Y0312328000)



3-TRIGGER GROUP

- 3.1 TRIGGER GUARD (Y0312710000)
- 3.2 TRIGGER PIN (Y0312712000)
- 3.3 TRIGGER SPRING (Y0312714000)
- 3.4 TRIGGER (Y0312716000)
- 3.5 HAMMER HOLDER (Y0312718000)
- 3.6 HAMMER HOLDER SPRING (Y0312720000)
- 3.7 HAMMER HOLDER SPRING PIN (Y0312722000)
- 3.8 HAMMER HOLDER SPRING PIN (Y0312724000)
- 3.9 SAFETY SPRING PIN (Y0312726000)



- 3.10 SAFETY SPRING (Y0312728000)
- 3.11 SAFETY SPRING SUPPORT PIN (Y0312730000)
- 3.12 TRIGGER SAFETY BUTTON (Y0312732000)
- 3.13 HAMMER PISTON SPRING (Y0312734000)
- 3.14 HAMMER PISTON (Y0312736000)
- 3.15 HAMMER (Y0312738000)
- 3.16 TRIGGER GUARD INSERT SHEET (Y0312740000)
- 3.17 HAMMER PIN (Y0312742000)
- 3.18 HAMMER PIN RING (Y0312744000)
- 3.19 TRIGGER GUARD INSERT SHEET (Y0312746000)
- 3.20 SPECIAL STAMP (Y0312748000)
- 3.21 CARTRIDGE ELEVATOR SPRING (Y0312750000)
- 3.22 CARTRIDGE ELEVATOR SPRING PIN (Y0312752000)
- 3.23 CARTRIDGE SPOON (Y0312762000)
- 3.24 CARTRIDGE ELEVATOR (Y0312764000)
- 3.25 CARTRIDGE ELEVATOR PIN (Y0312766000)

4-BOLT GROUP

- 4.1 BOLT (Y0312410000)
- 4.2 PISTON (Y0312412000)
- 4.3 BOLT LEVER PIN SPRING (Y0312414000)
- 4.4 BOLT LEVER PIN (Y0312416000)
- 4.5 ROTARY HEAD SPRING (Y0312418000)
- 4.6 ROTARY [BOLT] HEAD PIN (Y031242000)
- 4.7 FIRING (Y0312422000)
- 4.8 FIRING PIN SPRING (Y0312424000)
- 4.9 FIRING PIN SUPPORT PIN (Y031226000)
- 4.10 BOLT SUPPORT (Y0312428000)
- 4.11 BOLT SUPPORT PIN (Y0312430000)
- 4.12 BOLT LEVER (Y0312432000)
- 4.13 ROTARY HEAD (Y0312442000)
- 4.14 EXTRACTOR (Y0312444000)
- 4.15 ROTARY HEAD EXTRACTOR SPRING (Y0312446000)
- 4.16 EXTRACTOR (Y0312448000)

5-MAGAZINE GROUP

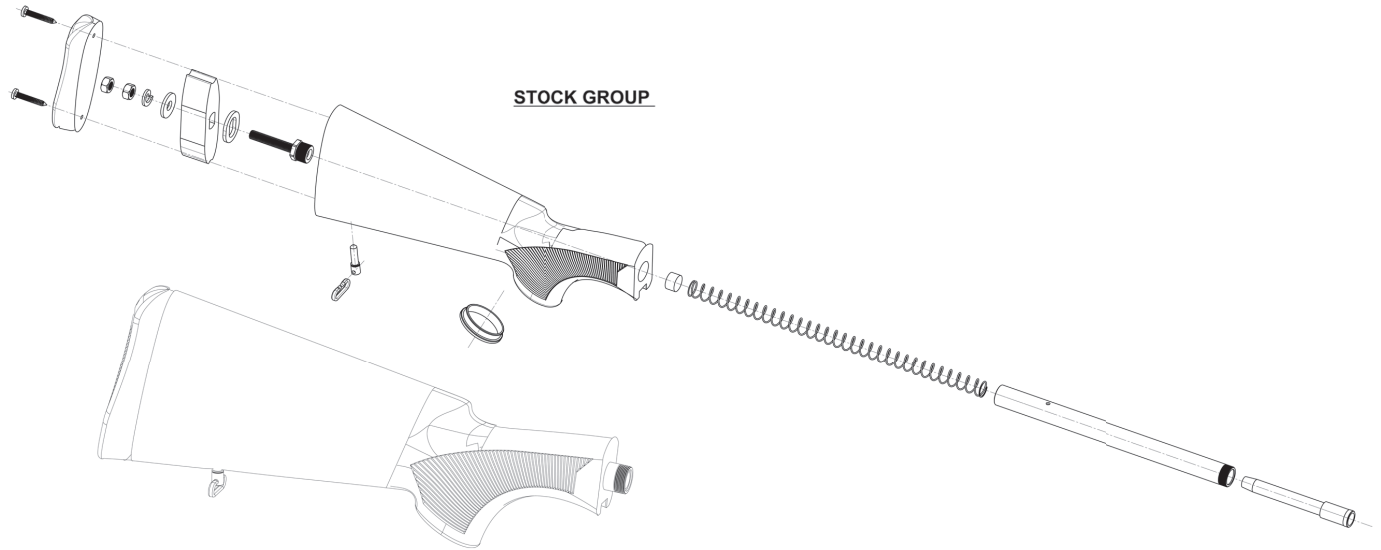
- 5.1 MAGAZINE TUBE (Y0312610000)
- 5.2 MAGAZINE SPRING BUSHING (Y0312612000)
- 5.3 MAGAZINE SPRING (Y0312614000)
- 5.4 MAGAZINE RING (Y0312616000)
- 5.5 LIMITER (Y0312618000)

6-BARREL GROUP

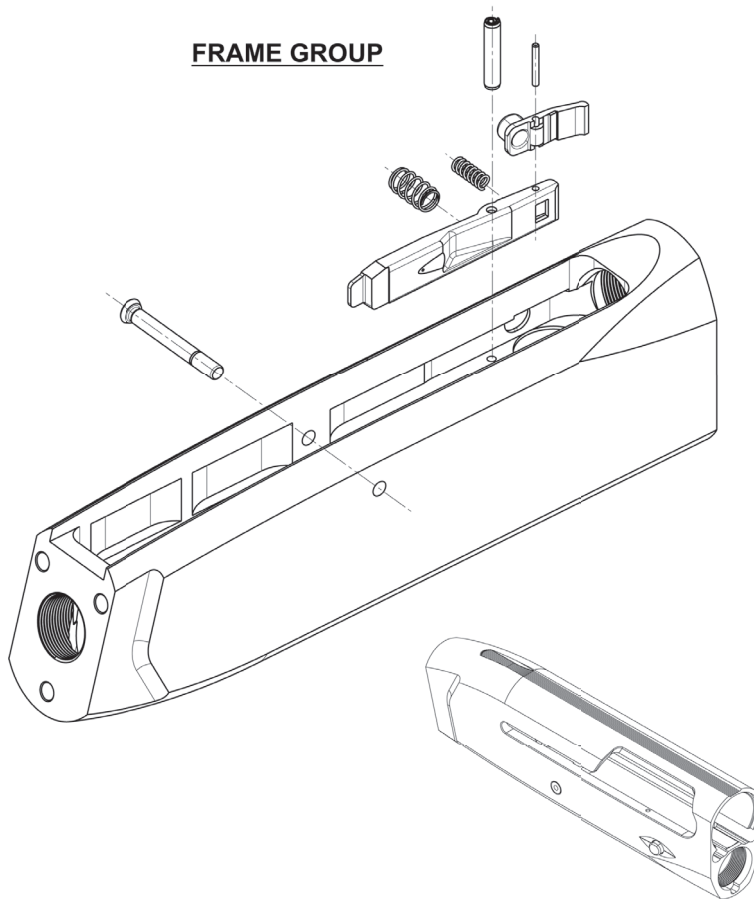
- 6.1 BARREL BUSHING (Y0312510000)
- 6.2 CARTRIDGE LAUNCHER PISTON (Y0312512000)
- 6.3 CARTRIDGE LAUNCHER (Y0312514000)
- 6.4 CARTRIDGE LAUNCHER SPRING (Y0312516000)
- 6.5 CARTRIDGE LAUNCHER PIN (Y0312518000)
- 6.6 SIGHT (Y0312520000)
- 6.7 MOBILE CHOKE (Y0312522000)
- 6.8 BARREL (Y0312532000)
- 6.9 BARREL RIB (Y0312540000)
- 6.10 BARREL SLEEVE (Y0312542000)
- 4.2 BARREL SLEEVE PIN (Y0312412000)
- 4.3 MECHANICAL LEVER PIN SPRING (Y0312414000)

7-FOREND GROUP

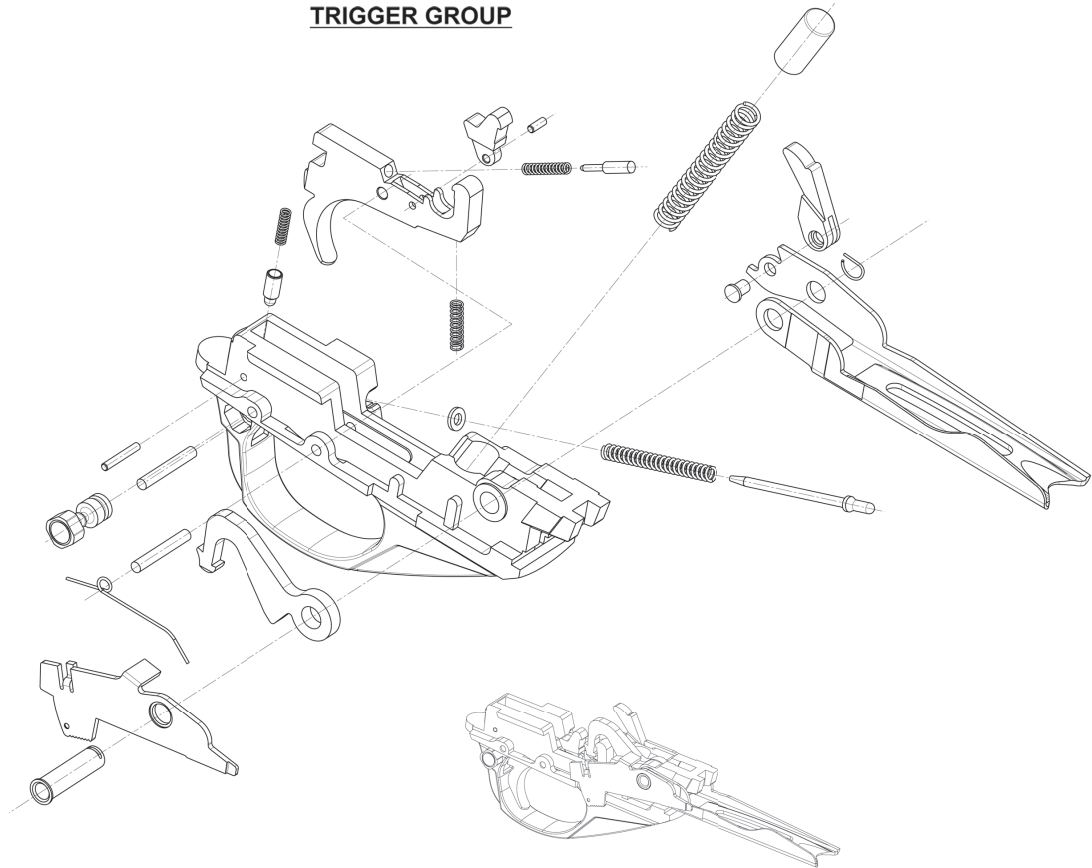
- 7.1 FOREND GROUP (Y0312210000)
- 7.2 SPACER RINGS (Y0312212000)
- 7.3 SPRING RING (Y0312214000)
- 7.4 FOREND RING (Y0312216000)
- 7.5 FOREND SCREW (Y0312222000)
- 7.6 FOREND BELT WASHER
- 7.7 FOREND BELT SCREW (Y0312226000)
- 7.8 SLING PIN (Y0312232000)
- 7.9 FOREND SLING (Y0312234000)



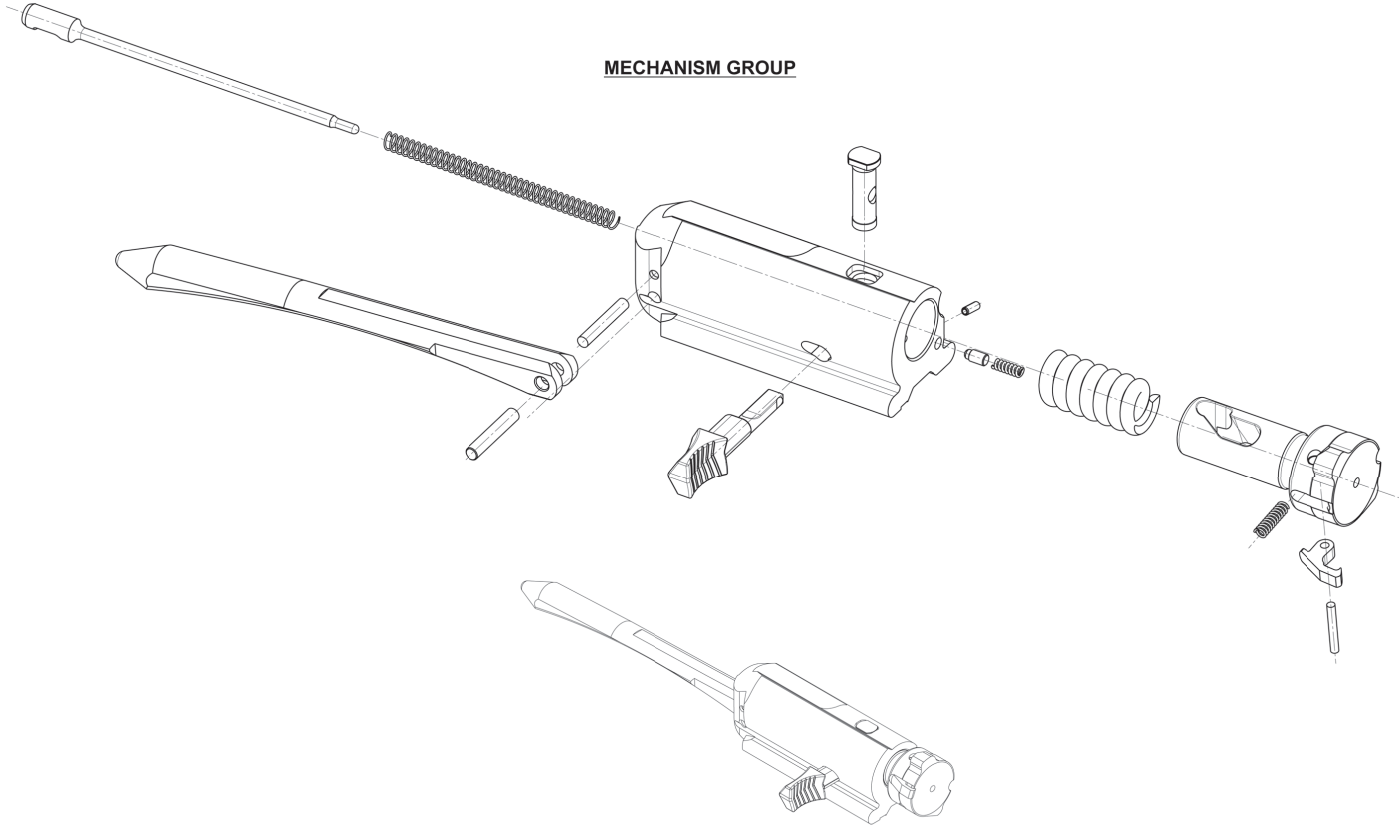
FRAME GROUP



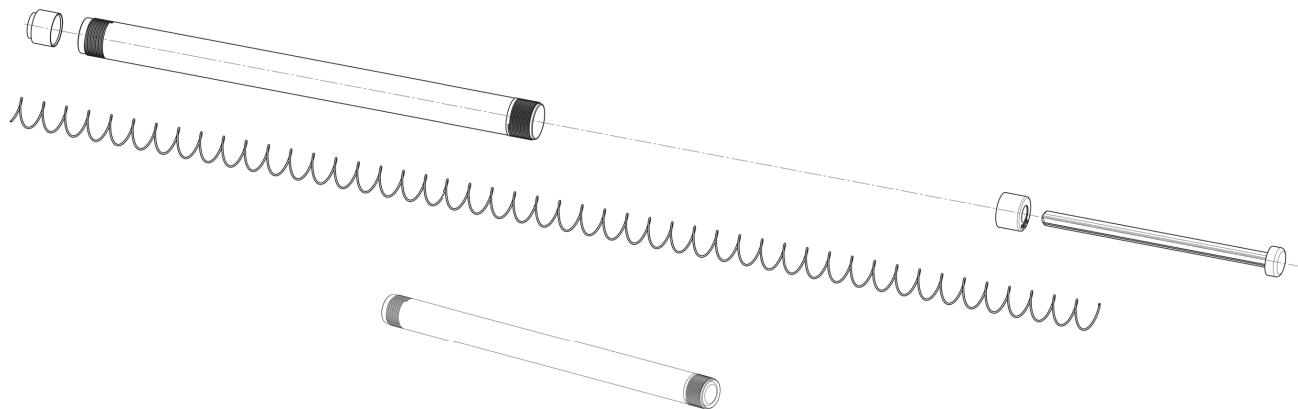
TRIGGER GROUP

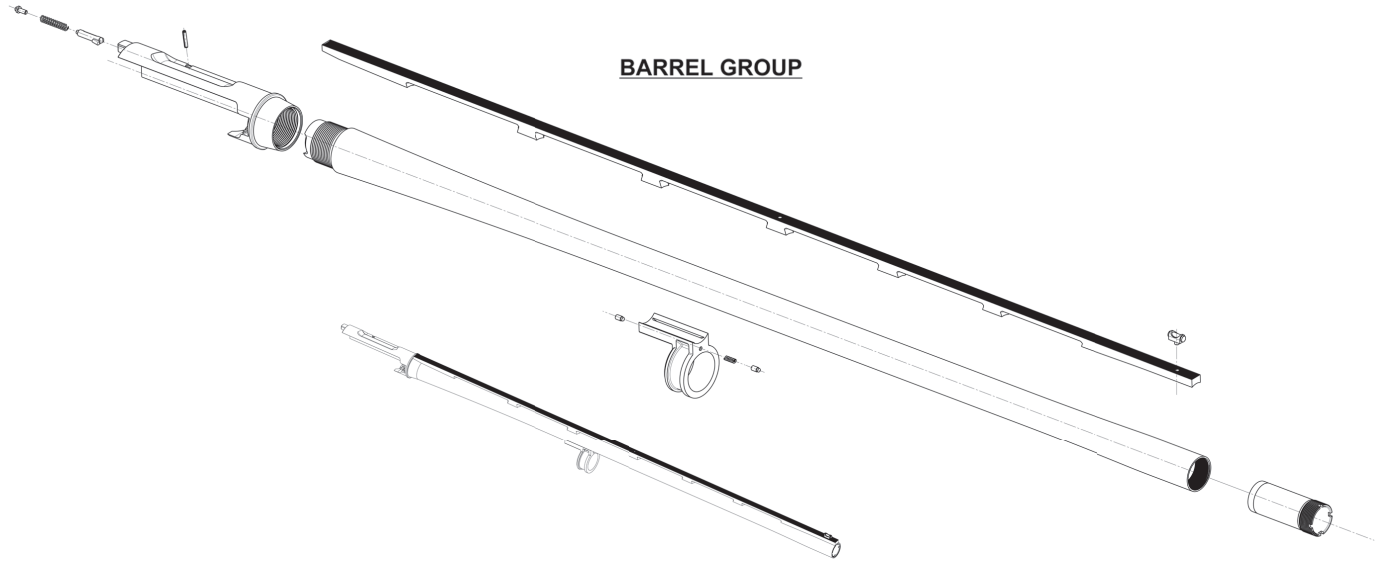


MECHANISM GROUP

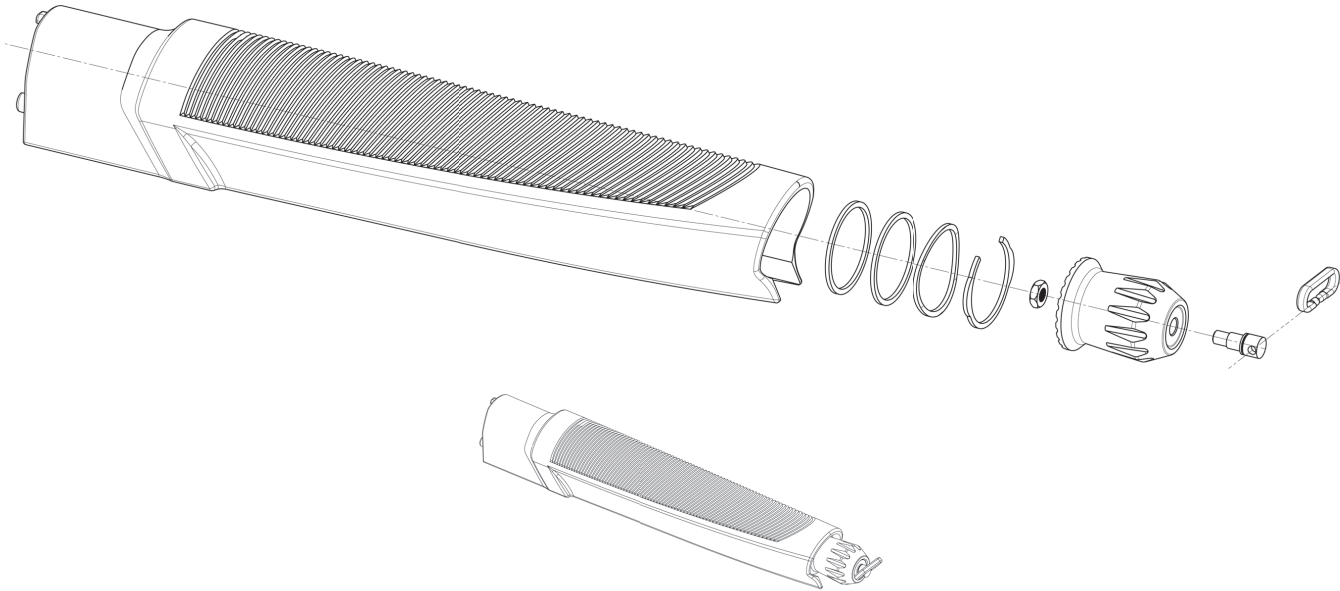


MAGAZINE GROUP





FOREND GROUP



13. TROUBLESHOOTING

PROBLEM	POSSIBLE REASON	SOLUTION
Misfire	Damaged cartridges	Replace cartridges
	Firing pin problem	Send it to the authorized service center
	The bolt did not close correctly	Check for obstruction/dirt
		Send it to the authorized service center
Feeding problem	Dirty magazine	Clean the magazine
Ejection problem	Dirty chamber	Clean and oil lightly
	Ejection problem	Send it to the authorized service center
	Extraction problem	Send it to the authorized service center



Zenith Firearms Warranty

At Zenith Firearms, we believe in the quality of our firearms, and we want you to as well.

Age and wear cannot be covered under warranty, as the mechanical parts and materials that make up firearms eventually wear out. However, defective parts, materials, and workmanship are not acceptable, and we will stand behind our products. We warrant our firearms to be free from defects in performance and workmanship for five years from the date of purchase. If you have a problem that is directly attributable to the quality of our product, it's on us to make it right, shipping and handling included.

However, if you abuse, improperly maintain, or alter the internal workings of your Zenith firearm in any way, we will not warranty damage that occurs. Likewise, if you use improper or incompatible ammunition or parts, we will not warranty damage that occurs. This includes altering a serial number.

If you have a problem with your firearm, ship it to us for inspection:

ZENITH FIREARMS, ATTN: WARRANTY
10950 Rockfish Valley Highway, Suite C
Afton, VA 22920.

We recommend that you send your firearm through a licensed FFL dealer, or by insured shipping via FedEx or UPS (but not through the U.S. Mail).

RETURN WITHOUT REPAIR

If we receive your firearm and determine that its damage is unwarrantable, we will contact you with an explanation and an estimation of your cost to have us repair or refurbish it. If you would rather we simply return your firearm to you, we will cover the cost of shipping to do so.

FREE REPAIR AND RETURN

If your firearm is defective and we determine the defect is warrantied, Zenith will try to repair it. If we repair your firearm, after doing so we will ship it directly back to you, provided you originally shipped it to us from your address. If your firearm cannot be repaired, we will consider replacing it. If we end up replacing your firearm, we will ship it back to you via a licensed FFL dealer, and there may be additional charges that you'll have to cover, such as transfer fees and background check fees. In either case, though, we will pay for shipping.

LIMITATIONS ON WARRANTY

OUR ONLY RESPONSIBILITY IN THE CASE OF BREACH OF WARRANTY IS REPAIR. ZENITH FIREARMS SHALL NOT BE LIABLE FOR ANY OTHER DAMAGES, INCLUDING DIRECT, INDIRECT, OR CONSEQUENTIAL DAMAGES.

Please Note: This warranty gives you specific legal rights, and you may also have other rights, which vary from state to state, as some jurisdictions do not allow limitations on certain damages and warranties.

NOTES:



Zenith Firearms

10950 Rockfish Valley Highway, Suite C, Afton, VA 22920

Tel: 434.202.7790 | Fax: 800.466.4444 | info@zenithfirearms.com | www.zenithfirearms.com